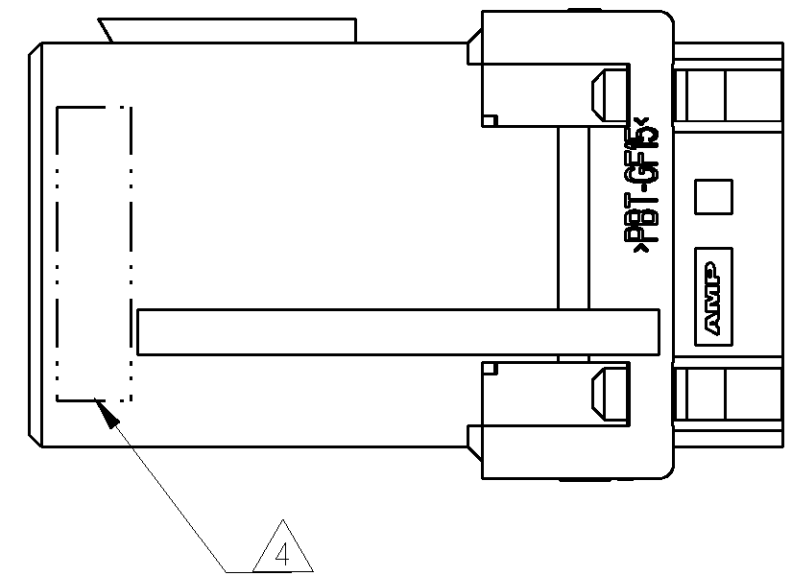
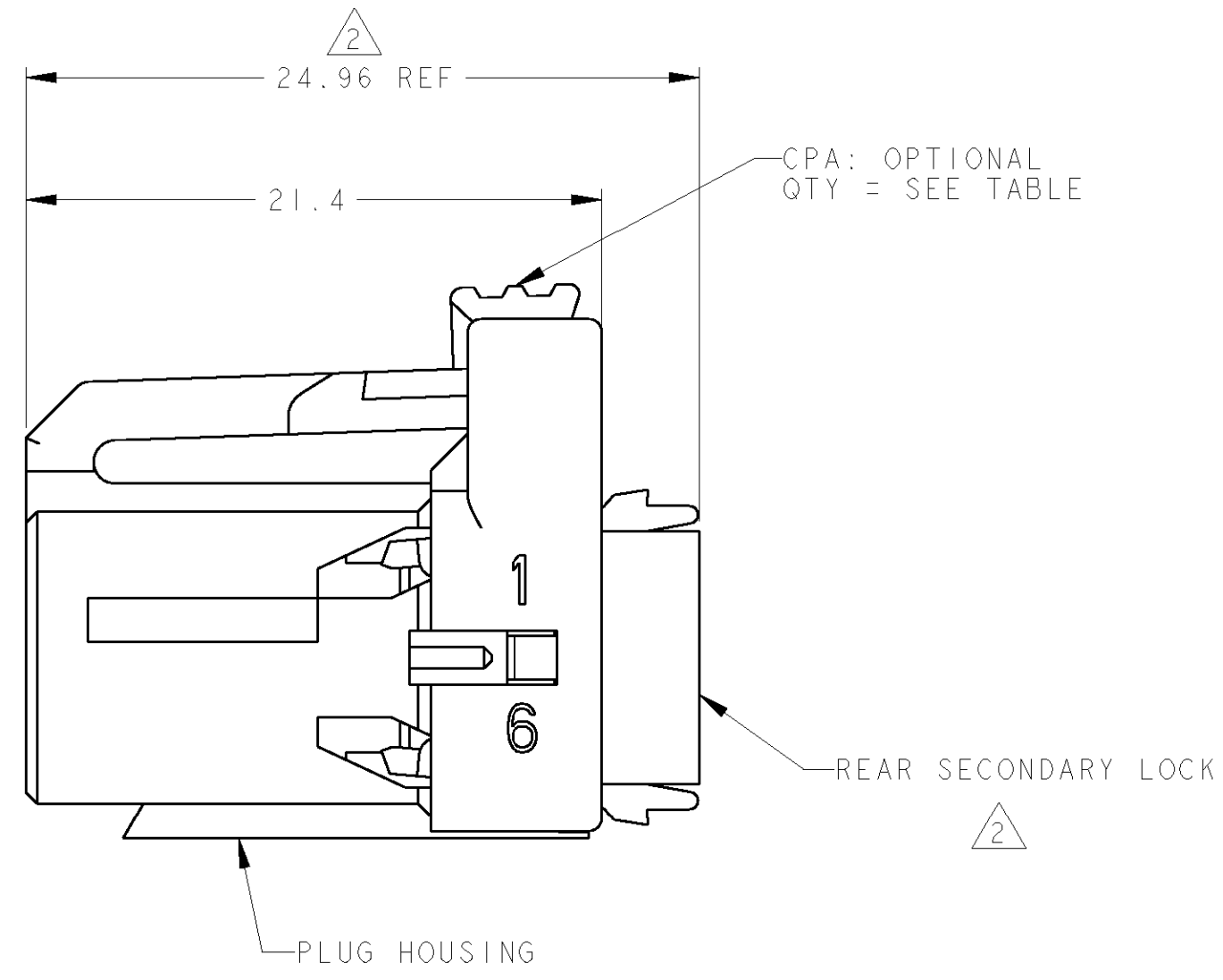
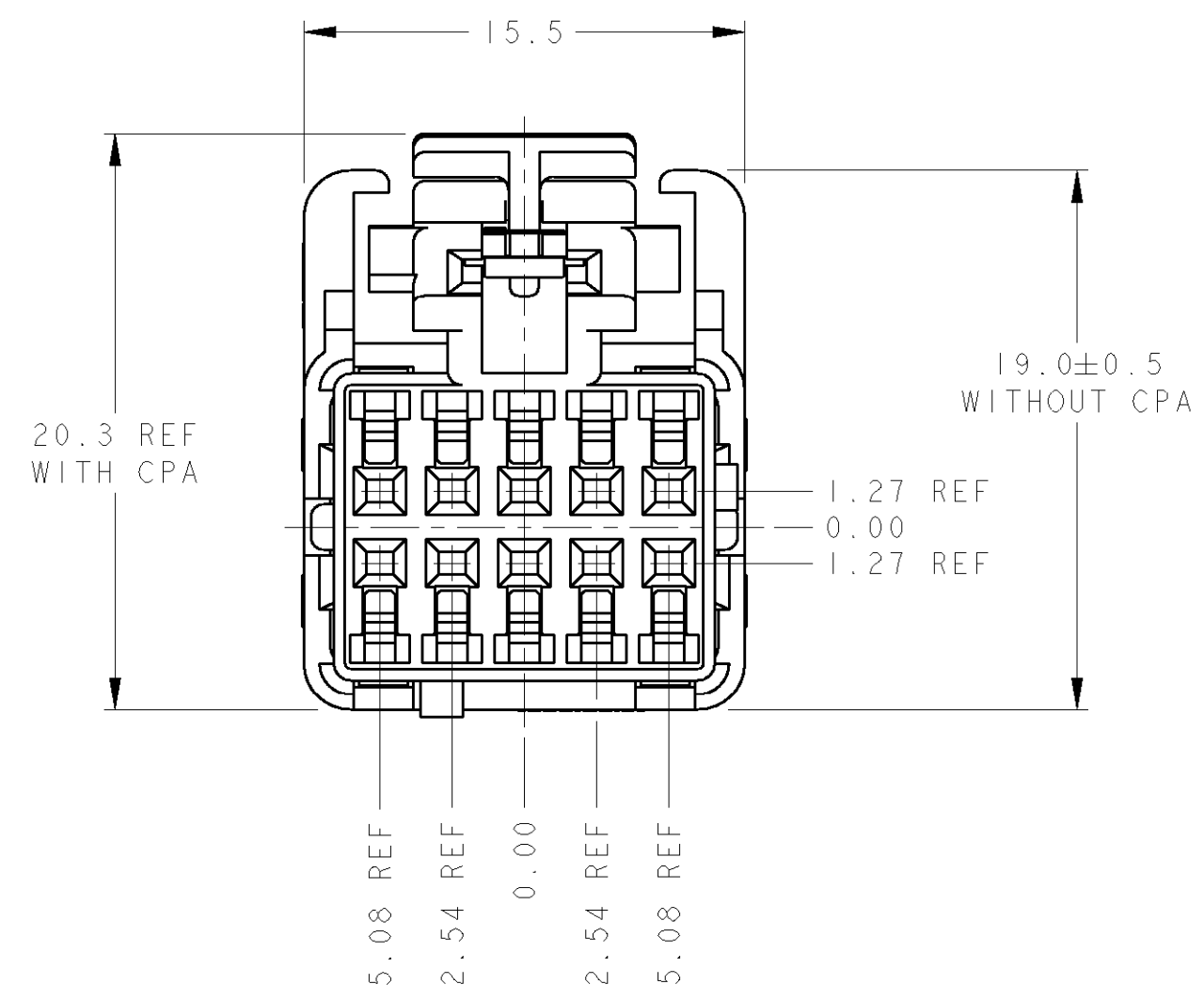


THIS DRAWING IS UNPUBLISHED. RELEASED FOR PUBLICATION
 © COPYRIGHT 19 BY TYCO ELECTRONICS CORPORATION. ALL RIGHTS RESERVED.

LOC	DIST	REVISIONS					
		P	LTR	DESCRIPTION	DATE	DWN	APVD
FX	00		O	RELEASED PER NPR 20076	12JAN2001	DWF	AME
			A	0K80-0013-01	19JAN2001	JRB	FIK



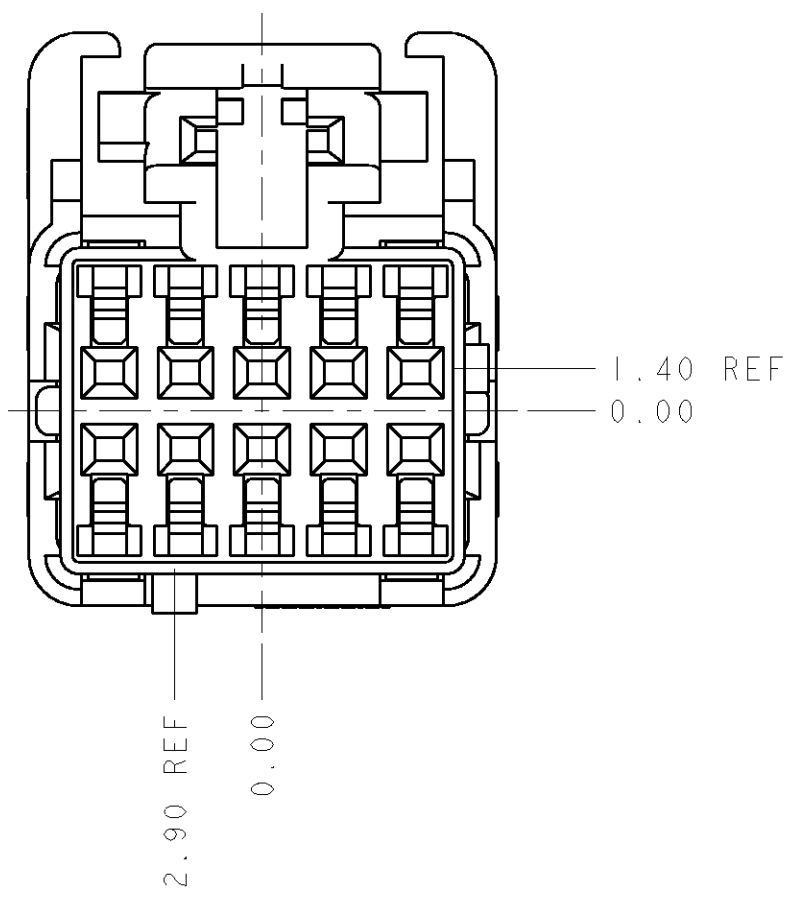
- 1. 638393-5 SHOWN.
- ② REAR SECONDARY LOCK, SHOWN IN PRE-LATCHED POSITION.
- ③ PLUG HOUSING: PBT, 15% GLASS FILLED, COLOR - SEE TABLE, 25% MAX REGRIND. REAR SECONDARY LOCK: PBT, UNFILLED, GRAY, 25% MAX REGRIND. CPA: PBT, 15% GLASS FILLED, RED, 25% MAX REGRIND.
- ④ MARK FOUR DIGIT JULIAN DATE CODE (DDDY), LOCATED IN APPROXIMATE AREA SHOWN.
- 5. TERMINALS SOLD SEPARATELY, SEE AMP RECOMMENDED P/N 1326028 (GOLD) OR 638551 (TIN) FOR TERMINATION AND REELING OPTIONS.
- 6. THIS PRODUCT HAS A MINIMUM MISMATING FORCE OF 100 NEWTONS.
- ⑦ PART ASSEMBLY WEIGHT W/CPA: 3.1 GRAMS; W/O CPA: 3.0 GRAMS

GREEN	I	"D"	638393-8
BLUE	I	"C"	638393-7
YELLOW	I	"B"	638393-6
BLACK	I	"A"	638393-5
GREEN	N/A	"D"	638393-4
BLUE	N/A	"C"	638393-3
YELLOW	N/A	"B"	638393-2
BLACK	N/A	"A"	638393-1
PLUG COLOR	CPA QTY	KEYING ARRANGEMENT (SEE SHEET 2)	PART NUMBER

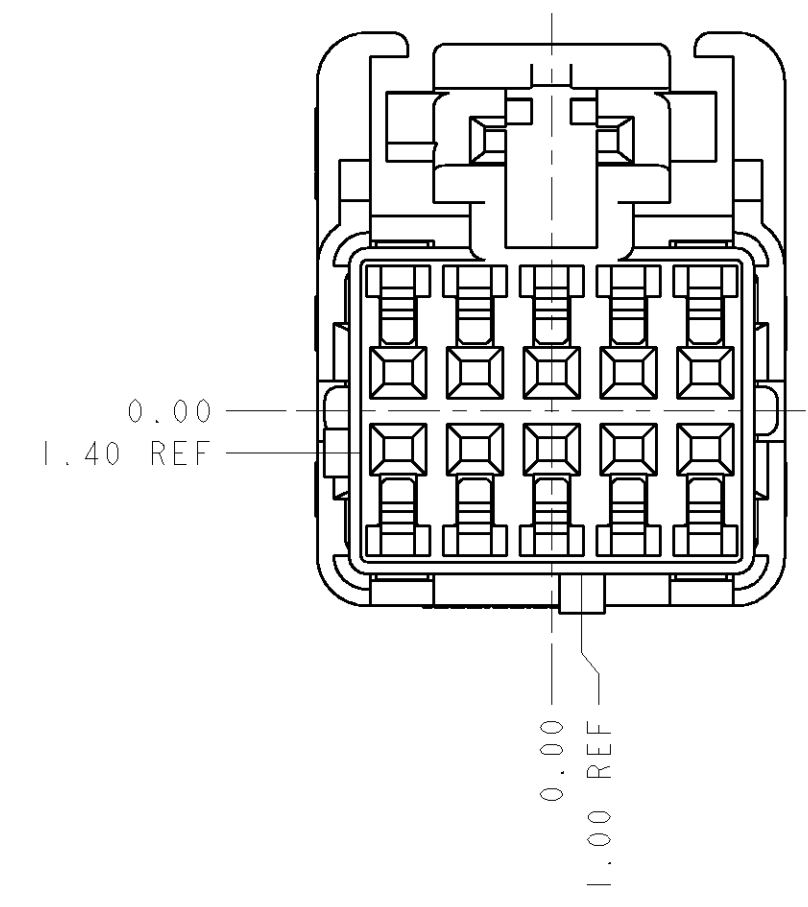
THIS DRAWING IS A CONTROLLED DOCUMENT FOR TYCO ELECTRONICS CORPORATION. IT IS SUBJECT TO CHANGE AND THE CONTROLLING ENGINEERING ORGANIZATION SHOULD BE CONTACTED FOR THE LATEST REVISION.		DWN K. FOLTZ 26AUG99	AMP Incorporated Harrisburg, PA 17105-3608	
DIMENSIONS: mm		CHK A. EBRAHEEM 12JAN01	NAME PLUG ASSEMBLY, UNSEALED, 10 POSITION 2x5, 0.64mm CONNECTOR	
TOLERANCES UNLESS OTHERWISE SPECIFIED: 0 PLC ±.4 1 PLC ±0.30 2 PLC ±.30 3 PLC ±. 4 PLC ±. ANGLES ±. FINISH -		APVD G. BALON 12JAN01	RESTRICTED TO	
MATERIAL ③		PRODUCT SPEC SAE/USCAR-2 8/97	SIZE A2	CAGE CODE 00779
		APPLICATION SPEC -	DRAWING NO 638393	
		WEIGHT ⑦	SCALE 4:1	SHEET 1 OF 2
		CUSTOMER DRAWING	REV A	

THIS DRAWING IS UNPUBLISHED. RELEASED FOR PUBLICATION
 © COPYRIGHT 19 BY TYCO ELECTRONICS CORPORATION. ALL RIGHTS RESERVED.

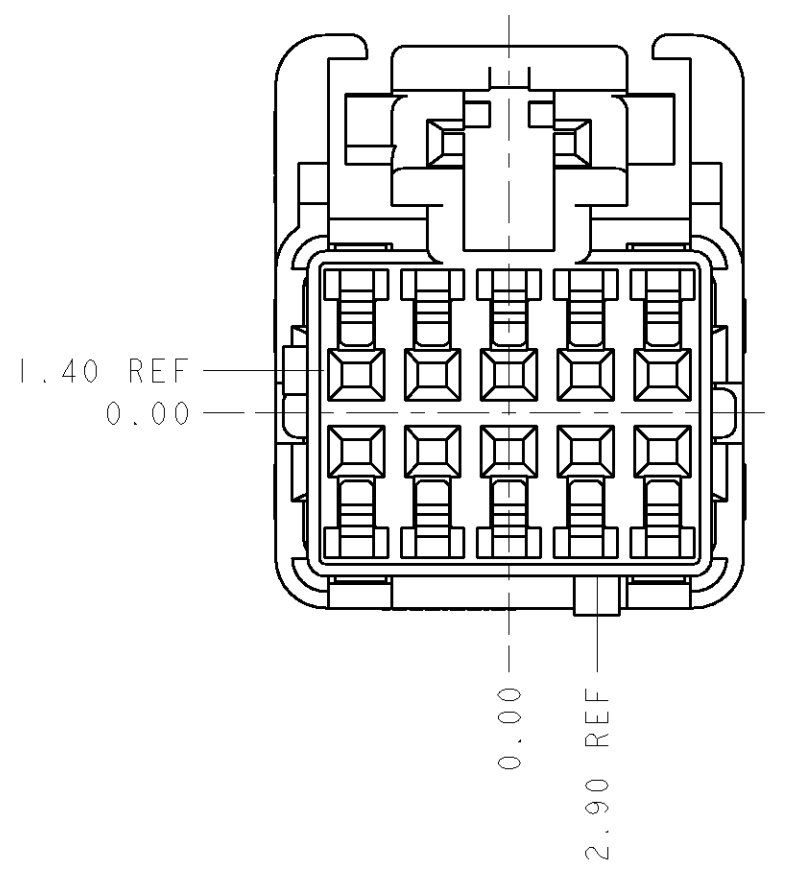
LOC	DIST	REVISIONS			
P	LTR	DESCRIPTION	DATE	DWN	APVD
FX	00	-	SEE SHEET 1	-	-



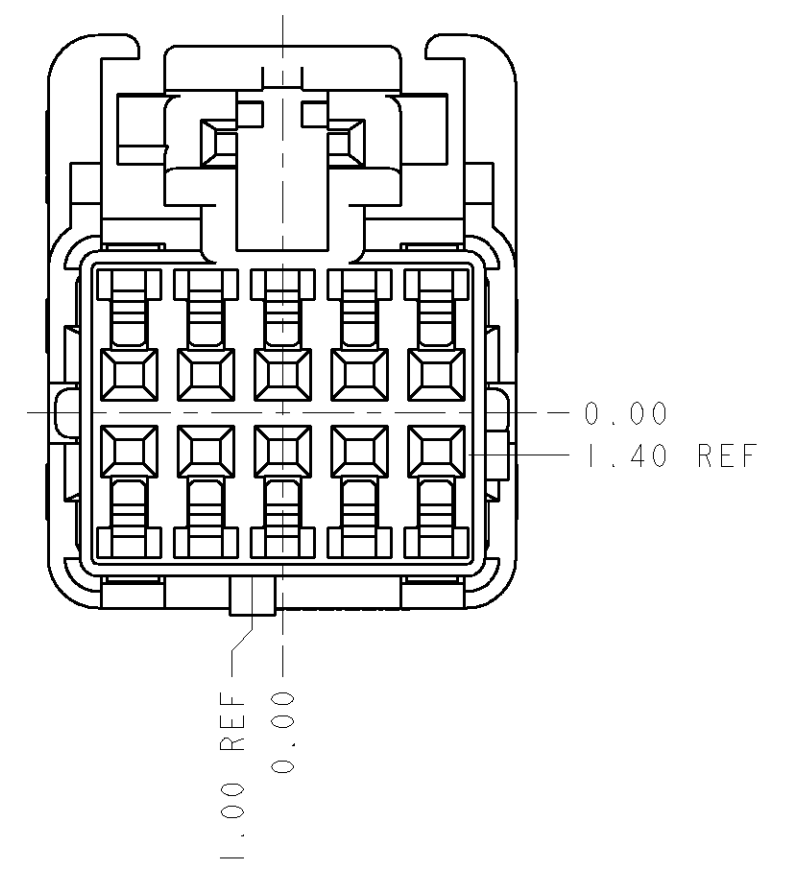
KEY CODE "A"
 (APPLIES TO -1 AND -5 ONLY)
 SCALE 4:1



KEY CODE "B"
 (APPLIES TO -2 AND -6 ONLY)
 SCALE 4:1



KEY CODE "C"
 (APPLIES TO -3 AND -7 ONLY)
 SCALE 4:1



KEY CODE "D"
 (APPLIES TO -4 AND -8 ONLY)
 SCALE 4:1

<small>THIS DRAWING IS A CONTROLLED DOCUMENT FOR TYCO ELECTRONICS CORPORATION IT IS SUBJECT TO CHANGE AND THE CONTROLLING ENGINEERING ORGANIZATION SHOULD BE CONTACTED FOR THE LATEST REVISION.</small>		DWN K. FOLTZ 26AUG99 CHK A. EBRAHEEM 12JAN01 APVD G. BALON 12JAN01	AMP AMP Incorporated Harrisburg, PA 17105-3608
DIMENSIONS: mm	TOLERANCES UNLESS OTHERWISE SPECIFIED: 0 PLC ± 1 PLC ± 2 PLC ±0.30 3 PLC ± 4 PLC ± ANGLES ± FINISH -	PRODUCT SPEC - APPLICATION SPEC - WEIGHT -	NAME PLUG ASSEMBLY, UNSEALED, 10 POSITION 2x5, 0.64mm CONNECTOR
MATERIAL -		CUSTOMER DRAWING	SIZE A2 CAGE CODE 00779 DRAWING NO. 638393 RESTRICTED TO - SCALE 4:1 SHEET 2 OF 2 REV A